

EN

USER MANUAL

F - SERIES

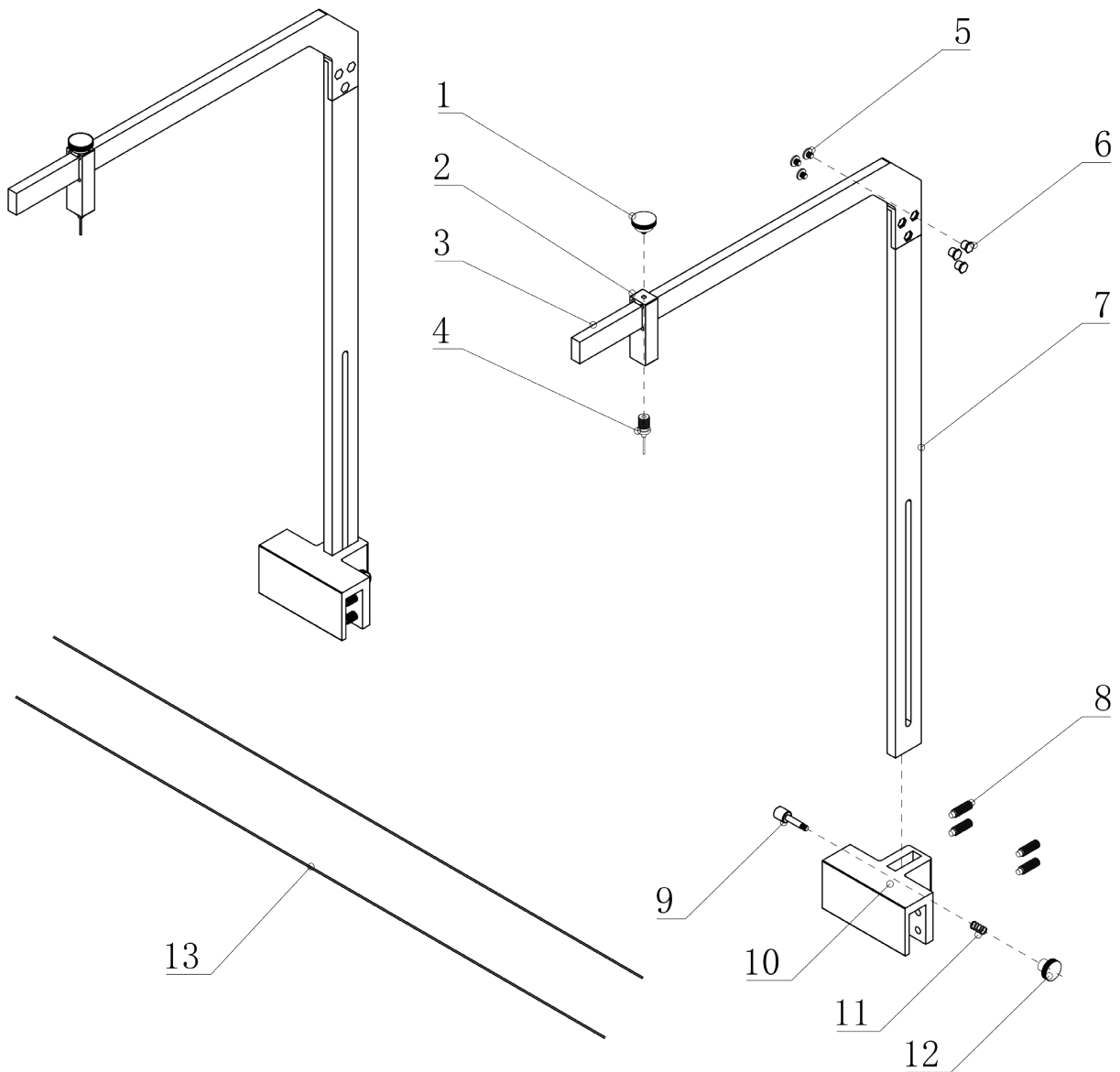
# LUMIVIE MOUNTING BRACKET

LED AQUARIUM **W+RGB**



# AQUAVIE®

Please read this manual carefully before use.



1. Depth adjustment screw
2. Depth adjustment slider
3. Horizontal part of the bracket
4. Cable fixing ring
5. Assembly screw
6. Assembly nut
7. Vertical part of the bracket
8. Bracket fixing screw on the glass
9. Height adjustment screws
10. Bracket fixing clamp
11. Height adjustment screws
12. Height adjustment screws
13. Suspension cable



## ASSEMBLY INSTRUCTIONS

1. Assemble the horizontal and vertical parts of the bracket and secure them together using the assembly screws.
2. Insert the depth adjustment slider and fix it in the desired position.
3. Insert the bracket into the fixing clamp by pulling the tightening head outward. Release it to automatically lock the vertical position of the bracket.
4. Install the fixing clamp on the rear glass of your aquarium and tighten the fixing screws. Warning: The clamp must be stable but should not be overtightened.
5. Pass the suspension cables through the cable fixing ring and cut the excess using cutting pliers, or coil the remaining cable.
6. Screw the cable ends onto your Lumivie light unit in place of the screws located in the mounting holes on the top.

Note: You can lower the light unit by pressing the lower part of the cable fixing ring.

## SAFETY INSTRUCTIONS

- Before installing the Lumivie light unit, check that the brackets are correctly assembled and firmly fixed to the aquarium.
- Never force the brackets, as this may break the glass of your aquarium.
- Close supervision is required when the device is used by or near children.

# AQUAVIE®

**Aquavie**  
150 rue Amélia Earhart  
34430  
Saint-Jean-de-Védas  
France

[www.aquavie.fr](http://www.aquavie.fr)

E  
I  
V  
M  
D  
L



Ne pas jeter sur la voie publique.